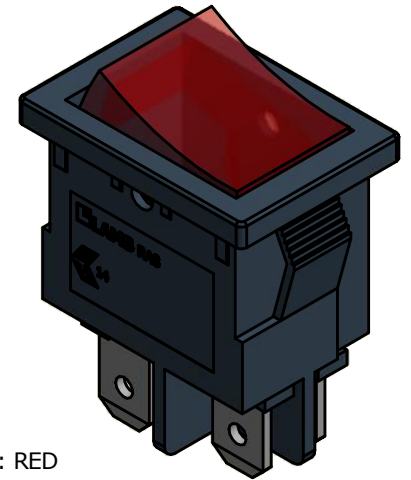
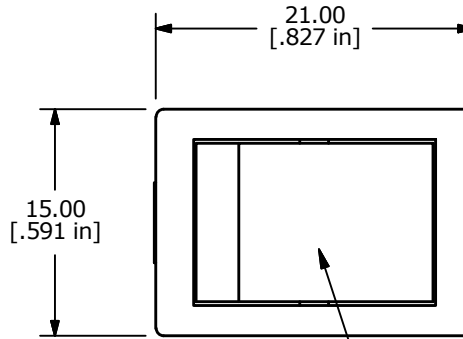
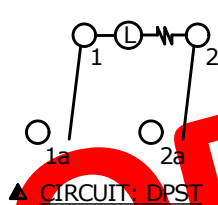


PANEL CUTOUT

PANEL THICKNESS	X
0.75 - 1.25	19.2
1.25 - 2.00	19.4
2.00 - 3.00	19.6

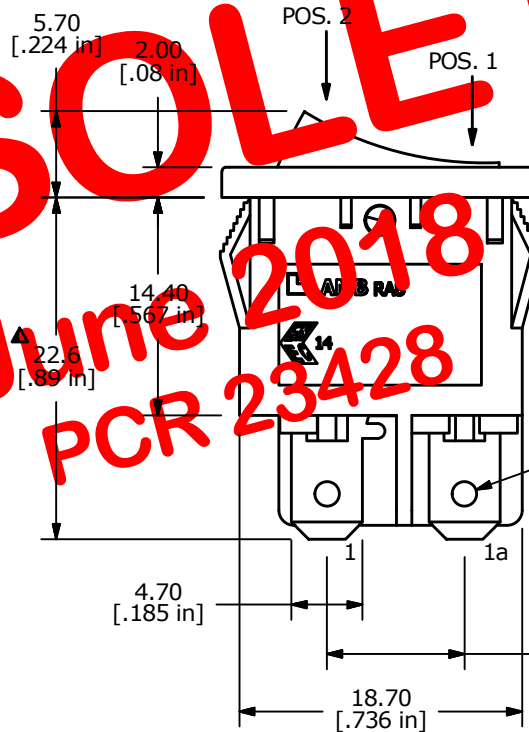


SWITCH FUNCTION	
POS. 1	POS. 2
OFF	ON
OPEN	1-1a,2-2a



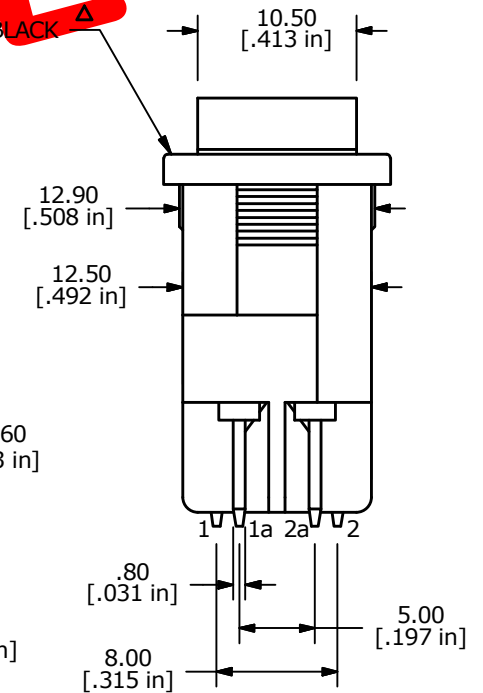
- NOTE:**
- DIMENSIONS IN MM [INCH]
 - GENERAL TOLERANCE: X.X = ± 0.4
X.XX = ± 0.25
 - TERMINAL NUMBERS FOR REF ONLY
 - CONTACT MATERIAL: SILVER
 - CONTACT RATINGS: 16A @ 125VAC [UR, cUR]
10A @ 250VAC [UR, cUR]
1/3HP 125/250VAC [UR, cUR]
 - CONTACT RESISTANCE: 35mΩ MAX. @ 50VAC
 - INSULATION RESISTANCE: 100MΩ MIN. @ 500VAC
 - DIELECTRIC STRENGTH: 1,500VAC FOR 1 MINUTE
 - ELECTRICAL LIFE: 6,000 CYCLES [UR, cUR]
10,000 CYCLES [ENEC14, SEMKO: 10(4)a 250v~]
50,000 CYCLES [ENEC14, SEMKO: 10(2)a 250v~]
 - OPERATING TEMPERATURE: -20°C TO 105°C [UR, cUR]
-20°C TO 125°C [ENEC14, SEMKO: 10(4)a 250v~]
-20°C TO 85°C [ENEC14, SEMKO: 10(2)a 250v~]
 - ▲ DENOTES CRITICAL PARAMETER
 - 2002/95/EC (ROHS) COMPLIANT
 - LAMP VOLTAGE: 12V

OBSOLETE
June 2018
PCR 23428



ILLUMINATED ACTUATOR: RED

BODY: BLACK



A	21983	RELEASE FOR PRODUCTION	9/11/15	MW
REV	PCR NO	DESCRIPTION	DATE	BY
THE INFORMATION CONTAINED IN THIS DOCUMENT IS PROPRIETARY TO E-SWITCH AND IS NOT TO BE COPIED OR TRANSFERRED				

E-SWITCH®				
TITLE		RA812C1000-114		
SCALE	DATE	DR	DWG	REV
2:1	9/11/2015	MW	38-RA812C1000114	A